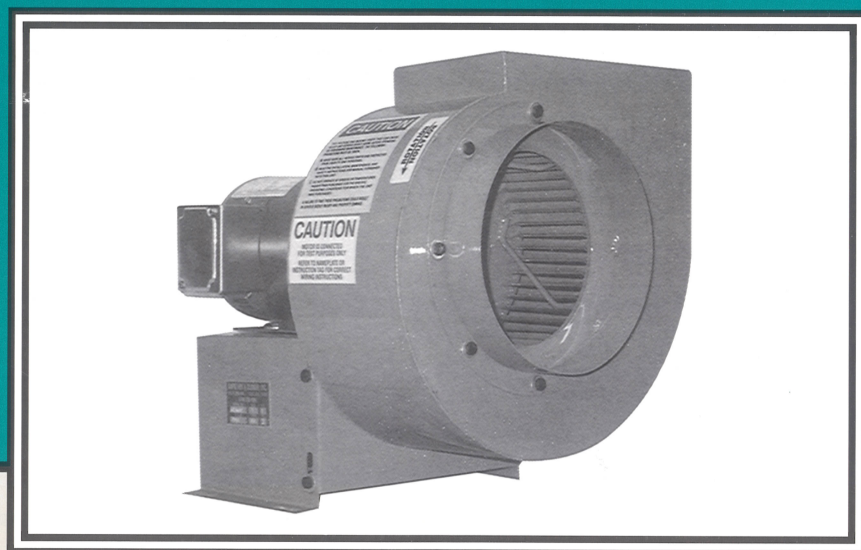


Rapid Fan & Blower Inc.

Direct Drive Forward Curve Blowers



Rapid Fan & Blower Inc.

23-14 39th Avenue • Long Island City, NY 11101
718/786-2060 • 800/468-9832 • Fax No. 718/706-0951
www.RapidFan.com

Rapid Fan Direct Drive HIGH RPM Blowers

APPLICATION:

Used extensively for general ventilation of small areas where duct systems are required. Used for washrooms, restaurants and small hood exhaust.

FEATURES:

All steel welded housings and bases. Wheels are dynamically balanced and equipped with cast iron hubs.

ROTATION AND DISCHARGE:

Units are available in clockwise or counter clockwise rotation. Housing may be easily rotated to any of eight discharge directions if desired at time of installation.

ACCESSORIES:

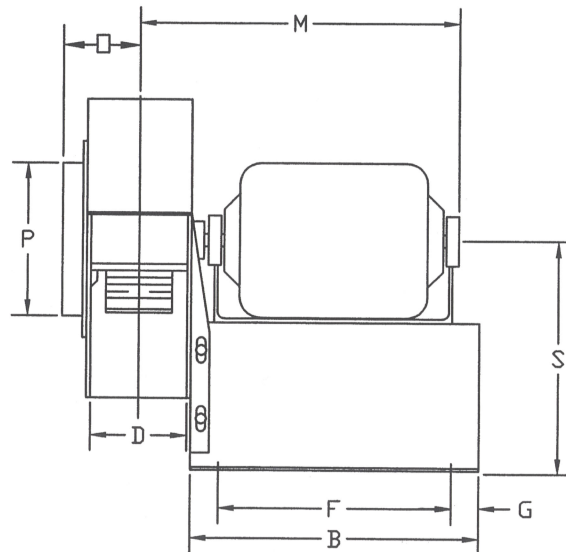
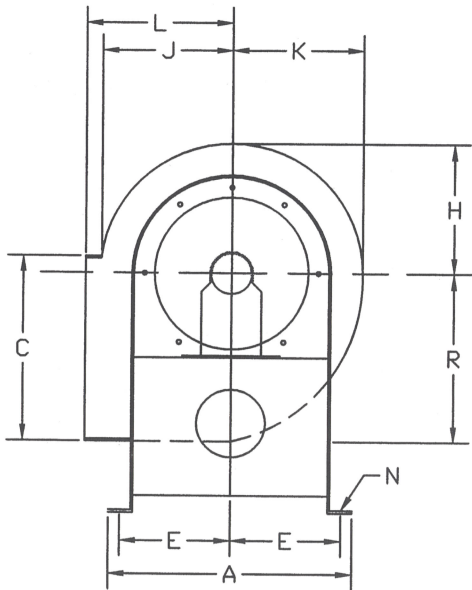
Weather-proof covers, non-ferrous wheel, vibration pads, discharge dampers, epoxy paint, inlet or outlet screens and other special features are available for special requirements.

BLOWERS

Blowers are tested in accordance with test codes adopted by AMCA and the American Society of Heating, Refrigeration and Air Conditioning Engineers.

Model No.	Motor H.P.	Blower R.P.M.	0"		1/8"		1/4"		3/8"		1/2"		5/8"		3/4"		1"		1-1/4"	
			C.F.M.	O.V.	C.F.M.	O.V.	C.F.M.	O.V.	C.F.M.	O.V.	C.F.M.	O.V.	C.F.M.	O.V.	C.F.M.	O.V.	C.F.M.	O.V.	C.F.M.	O.V.
HV6	1/4	1750	600	2865	565	2700	520	2480	475	2265	425	2025	370	1760	305	1455	240	1130		
HV8	1/3	1750	1155	3885	1090	3665	1055	3550	1010	3400	965	3240	920	3090	870	2920	755	2535	585	1960
HV9	1/3	1750	1010	2520	975	2480	935	2400	905	2325	855	2210	805	2060	780	1825	555	1785	485	1760
HV10	3/4	1750	1510	2640	1455	3460	1405	3280	1355	3100	1295	2920	1255	2740	1205	2560	1105	2380	1005	2200

Model No.	Motor H.P.	Blower R.P.M.	1/2"		3/4"		1"		1-1/4"		1-1/2"		1-3/4"		2"		2-1/4"		2-1/2"		2-3/4"	
			C.F.M.	O.V.	C.F.M.	O.V.	C.F.M.	O.V.	C.F.M.	O.V.	C.F.M.	O.V.	C.F.M.	O.V.	C.F.M.	O.V.	C.F.M.	O.V.	C.F.M.	O.V.	C.F.M.	O.V.
HV9A	1/2	1750	WILL OVERLOAD MOTOR				900	1915	815	1735	740	1575	620	1320								
HV9B	3/4	1750	WILL OVERLOAD MOTOR						1555	3315	1450	3090	1295	2760	1105	2350						
HV9C	1	1750	1725	3675	1680	3585	1625	3465	1555	3315	1450	3090	1295	2760	1105	2350						
HV10A	1	1750	WILL OVERLOAD MOTOR										1430	3075	1285	2765	1125	2420	915	1965		
HV10B	1-1/2	1750	WILL OVERLOAD MOTOR								1845	3975	1735	3735	1605	3460	1455	3135	1285	2765	1045	2245
HV10C	2	1750	WILL OVERLOAD MOTOR								2420	3800	2245	3525	2135	3350	1995	3135	1855	2915	1665	2615



Blower Dimensions

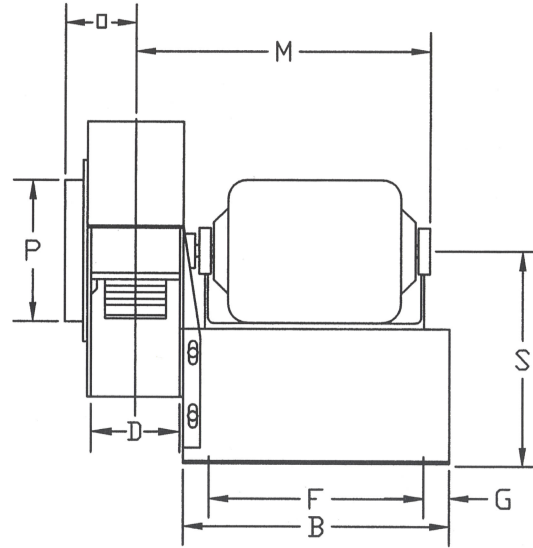
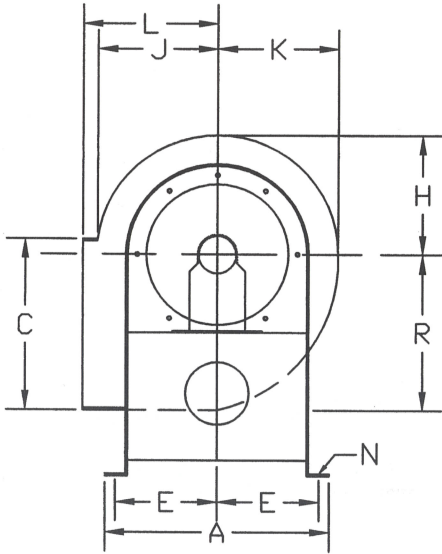
SIZE	A	B	C	D	E	F	G	H	J	K	L	M*	N	P	R	S*	
6	9-1/2	8	7-1/4	4-1/4	4-5/8	5-1/2	1-1/2	4-3/4	4	5-3/8	4-7/8	9-3/4	3/8	4-3/4	6	6-3/8	8-3/4
8	12	8	8-3/8	5-1/2	5-3/4	5-1/2	1-3/8	6-1/2	5-1/8	6-1/4	7-1/4	10	3/8	4-3/8	8	7-3/4	8-5/8
9	12-1/2	8	10-7/8	6-1/4	5-7/8	5-5/8	1-3/8	7	5-1/2	8-3/8	6-3/4	10-1/2	3/8	5	9	9-3/8	10-1/4
10	14-3/4	11-1/2	11-3/4	7-1/8	7-3/8	7-1/2	2	8	7	9	8-1/2	12	3/8	5-1/4	10	10-1/8	11-3/8

* Varies due to motor sizes

We reserve the right to make dimensional changes without notice. Certified dimensions furnished upon request.

Rapid Fan Direct Drive Low RPM Blowers

Model No.	Motor H.P.	Blower R.P.M.	0"		1/8"		1/4"		3/8"		1/2"		5/8"		3/4"		1"		1-1/4"	
			C.F.M.	O.V.	C.F.M.	O.V.	C.F.M.	O.V.	C.F.M.	O.V.	C.F.M.	O.V.	C.F.M.	O.V.	C.F.M.	O.V.	C.F.M.	O.V.	C.F.M.	O.V.
D6	1/6	1150	395	1880	335	1590	255	1205	105	480										
D8	1/6	1150	765	2570	685	2300	625	2095	540	1810	435	1455								
D9	1/3	1150	1185	2520	1165	2480	1130	2400	1095	2325	1040	2210	970	2060	860	1825				
D10	3/4	1150	2065	3240	1975	3095	1875	2940	1805	2830	1715	2690	1070	2525	1505	2355	1295	2030	1025	1605
D12	2	1150	3355	3900	3280	3815	3200	3725	3120	3630	3030	3530	2945	3430	2855	3320	2665	3100	2455	2855



Blower Dimensions

SIZE	A	B	C	D	E	F	G	H	J	K	L	M*	N	O	P	R	S*
6	9-1/2	8	7-1/4	4-1/4	4-3/8	5-1/2	1-1/2	4-3/4	4	5-3/8	4-7/8	9-3/4	3/8	4-3/4	6	6-3/8	8-3/4
8	12	8	8-3/8	5-1/2	5-3/4	5-1/2	1-3/8	6-1/2	5-1/8	6-1/4	7-1/4	10	3/8	4-3/8	8	7-3/4	8-5/8
9	12-1/2	8	10-7/8	6-1/4	5-7/8	5-5/8	1-3/8	7	5-1/2	8-3/8	6-3/4	10-1/2	3/8	5	9	9-3/8	10-1/4
10	14-3/4	11-1/2	11-3/4	7-1/8	7-3/8	7-1/2	2	8	7	9	8-1/2	12	3/8	5-1/4	10	10-1/8	11-3/8
12	14-1/4	11-3/4	13	10-1/4	6-3/8	7-7/8	2	9-1/4	8-3/8	11-1/4	10-3/4	17	1/2	7-1/4	12-1/2	12-3/4	15-3/4

* Varies due to motor sizes

We reserve the right to make dimensional changes without notice. Certified dimensions furnished upon request.

APPLICATION:

Used extensively for general ventilation of small areas where duct systems are required. Used for washrooms, restaurants and small hood exhaust. Slow speed units extremely quiet where noise is a factor.

FEATURES:

All steel welded housings and bases. Wheels are dynamically balanced and equipped with cast iron hubs.

ROTATION AND DISCHARGE:

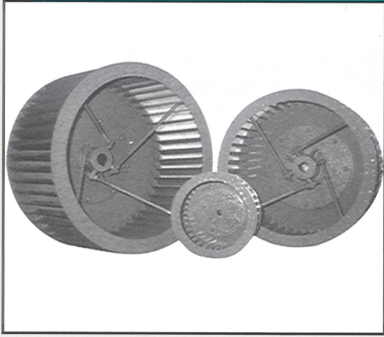
Units are available in clockwise or counter clockwise rotation. Housing may be easily rotated to any of eight discharge directions if desired at time of installation.

ACCESSORIES:

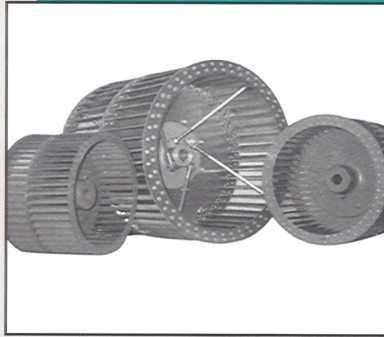
Weather-proof covers, non-ferrous wheel, vibration pads, discharge dampers, epoxy paint, inlet or outlet screens and other special features are available for special requirements.

BLOWERS

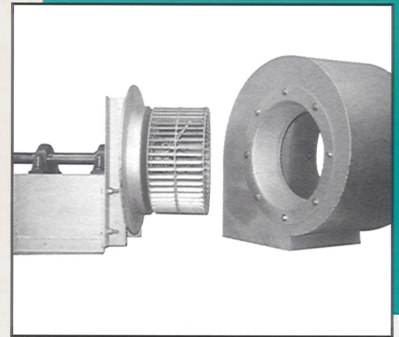
Blowers are tested in accordance with test codes adopted by AMCA and the American Society of Heating, Refrigeration and Air Conditioning Engineers.



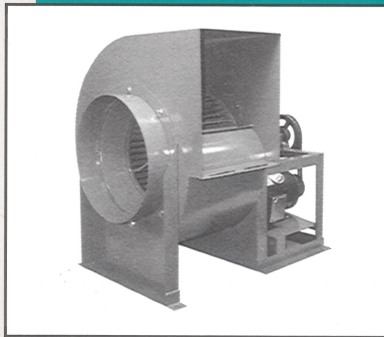
Single Inlet
Forward Curve Wheels



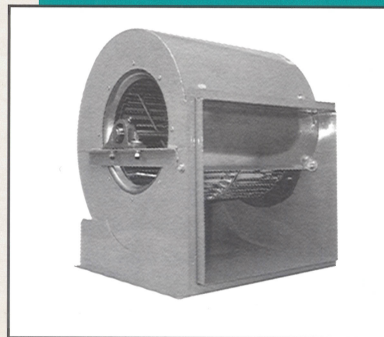
Double Inlet
Forward Curve Wheels



Forward Curve
Plug Fans



Belt Drive Forward Curve &
Backward Curve Blowers



Forward Curve Air Kits



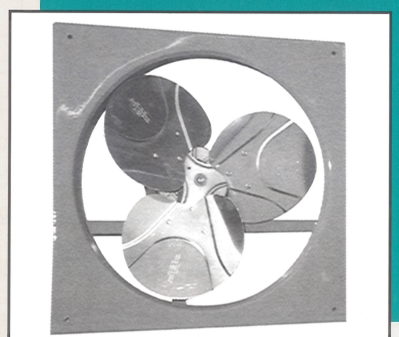
Direct Drive
Forward Curve Blowers



Industrial Mill Exhausters



Belt Drive Exhaust Fans



Direct Drive Exhaust Fans

Rapid Fan & Blower Inc.

23-14 39th Avenue
Long Island City, NY 11101
Phone: 718/786-2060 Fax: 718/706-0951
www.RapidFan.com

Represented by: