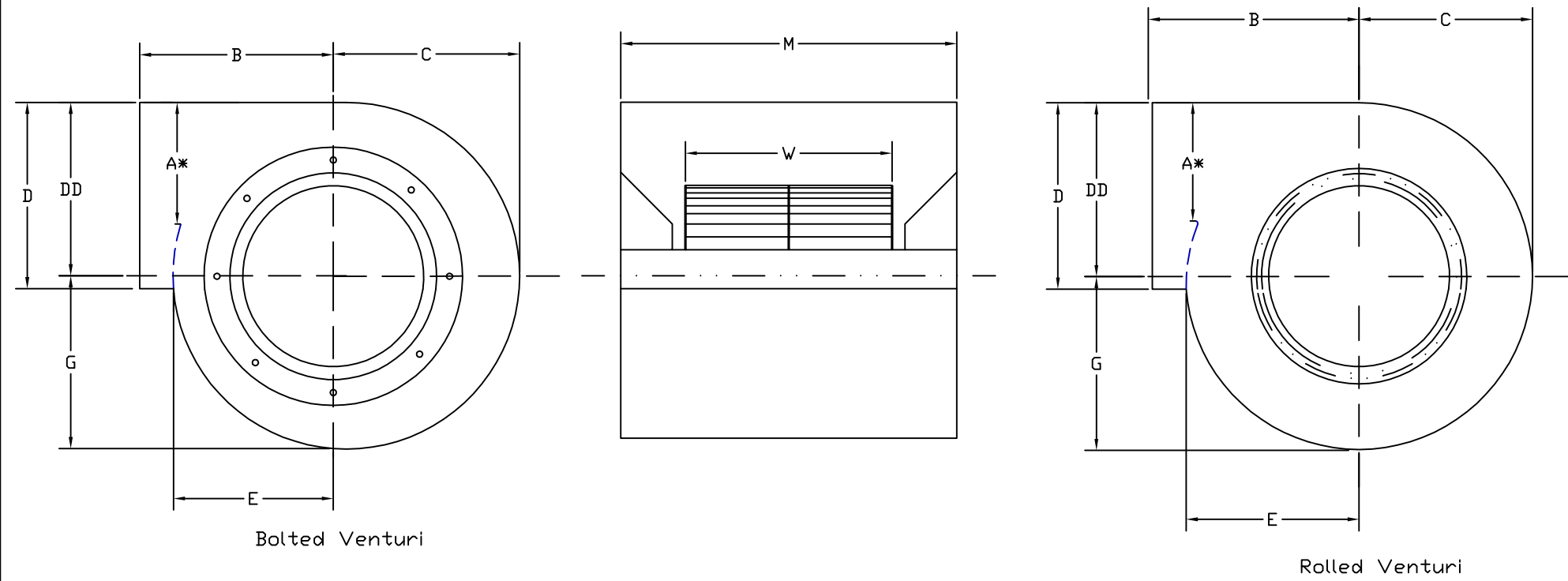


Rapid Fan & Blower Inc.

Double Inlet Airkits

ST0199



Size	A*	B	C	D	E	G	M	W	DD	STD. BORE
RAK 10-10	8.125	8.125	9.125	11.75	6.75	8.00	13.25	10.5	10.75	1
RAK 12-12	8.50	10.75	11.25	13.00	8.375	9.50	15.00	12.5	12.75	1
RAK 15-15	10.75	13.00	13.25	15.875	10.75	12.00	18.00	15.25	14.875	1.1875
RAK 18-18	13.00	14.50	16.00	19.12	12.62	14.25	21.50	18.25	18.00	1.1875
RAK 21-21	13.25	16.25	19.125	22.00	14.25	16.625	28.00	21.25	21.25	1.4375
RAK 24-24	16.25	18.625	21.75	25.6875	16.00	18.75	31.00	24.25	24.625	1.6875
RAK 27-27	21.00	21.25	24.25	28.5	17.75	20.625	34.25	27.5	27.50	1.6875
RAK 30-30	11.125	21.1875	26.325	31.125	19.25	23.00	37.625	30.625	30.1875	1.9375

NOTES SIZE 10 THRU 21 COME STANDARD WITH ROLLED VENTURI

A* CUTOFF DIMENSION.

Submittal Data		Performance	RAPID FAN & BLOWER INC.	
Job Name:	Wheel Only	SP:	23-14 39th Avenue	
Location:	Housing Only	RPM:	Long Island City, NY 11101	
Tag unit	Wheel Only	HP:	Tel. (718)786-2060 Fax(718)706-0951	
P.O.#:	Wheel & Housing	TS:	AMCA Member	
	Bore Size	∅V:	Dm.	Cert.
	Keyway	CLASS:	Dwg No.	Material

REVISED 2-9-07

We reserve the right to make dimensional changes without notice. Certified dimensions upon request